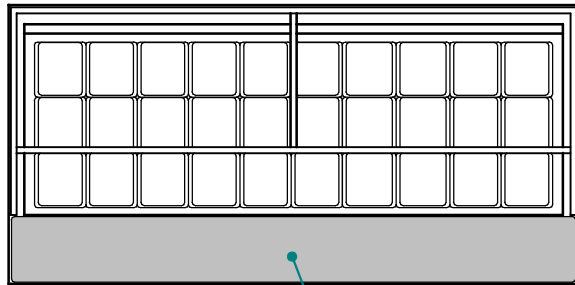
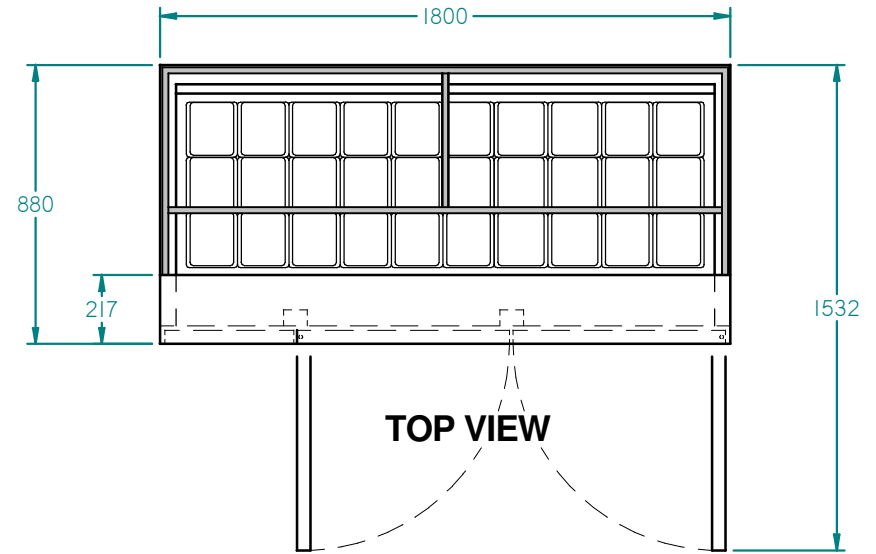


WELL OPENING:

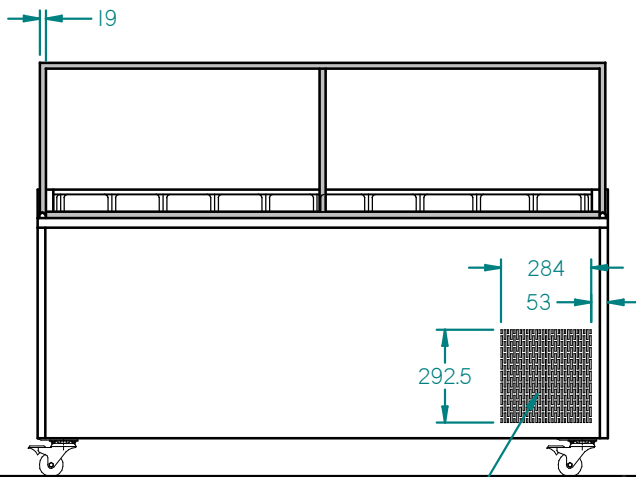
WILL ACCEPT 18 x 1/6 x 100mm DEEP
AND 12 x 1/6 x 65mm DEEP



CUTTING BOARD
(OPTIONAL)

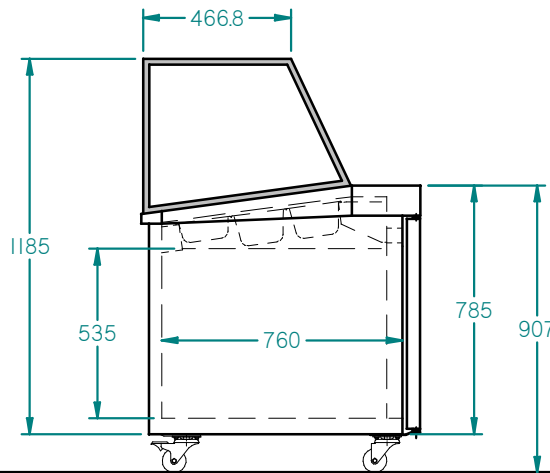


TOP VIEW

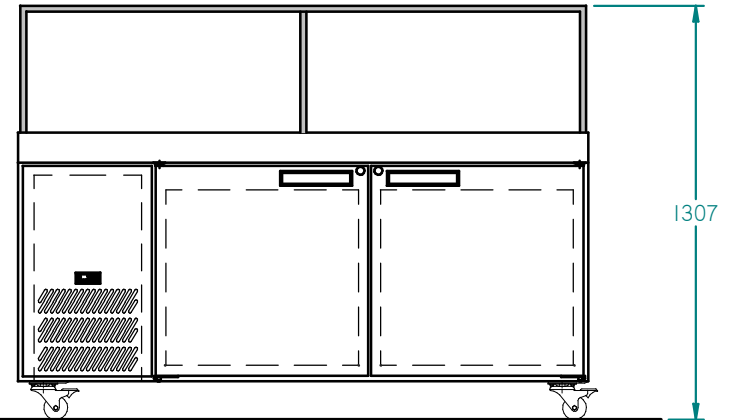


REAR VIEW

DUCT OPENING REQ.
FOR AIR EXHAUST
FROM CONDENSER



SIDE VIEW



FRONT VIEW

williams

REFRIGERATION
AUST. PTY. LTD.

UNLESS OTHERWISE STATED ALL
DIMENSIONS IN MILLIMETERS.
GENERAL TOLERANCES:

UP TO 6	±0.1
7 TO 30	±0.2
31 TO 120	±0.3
121 TO 315	±0.5
316 TO 1000	±0.8
1000 & OVER	±1.2

LINEAR

ANGULAR ±1°

DRAWN: J.L.

DATE: 7.05.10

CHECKED:

DRAFTING STANDARD
AS 1100

MATERIAL: -

MODEL: HSP30U

TITLE:

SANDWICH PREPARATION BENCH

STOCK No. --

DWG:

HSP30U

REV	DESCRIPTION	DATE	BY
01	Redrawn on SE, New Canopy added	7.05.10	J.L.