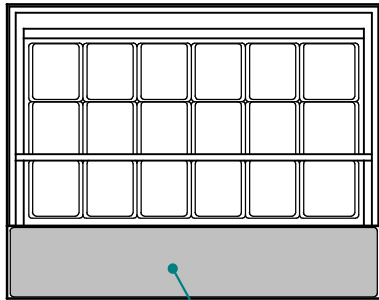
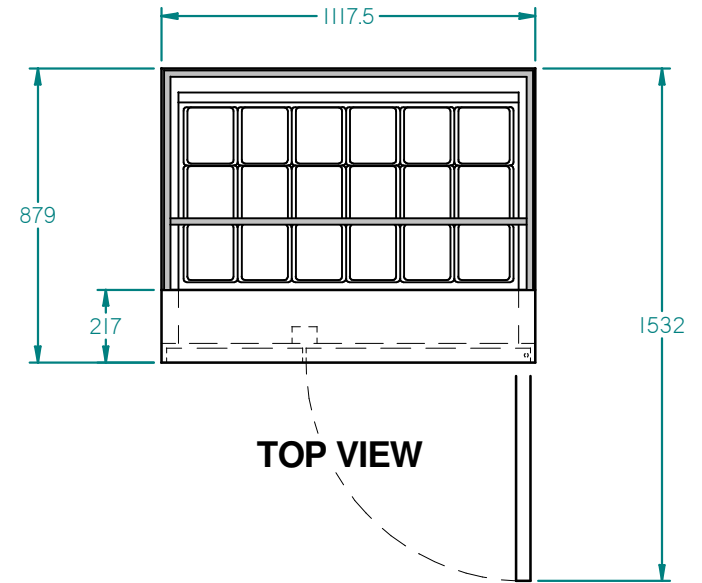


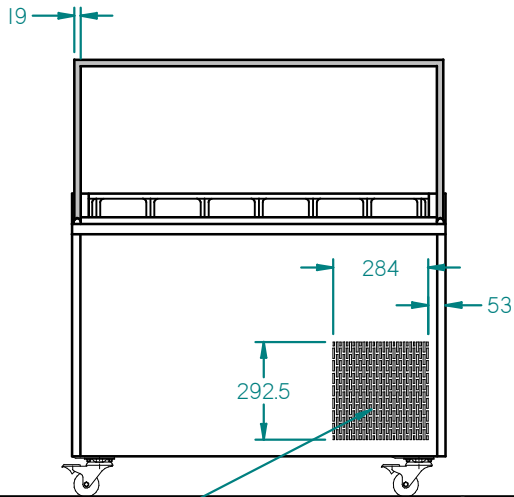
WELL OPENING:
WILL ACCEPT 10 x 1/6 x 100mm DEEP
AND 8 x 1/6 x 65mm DEEP



CUTTING BOARD
(OPTIONAL)

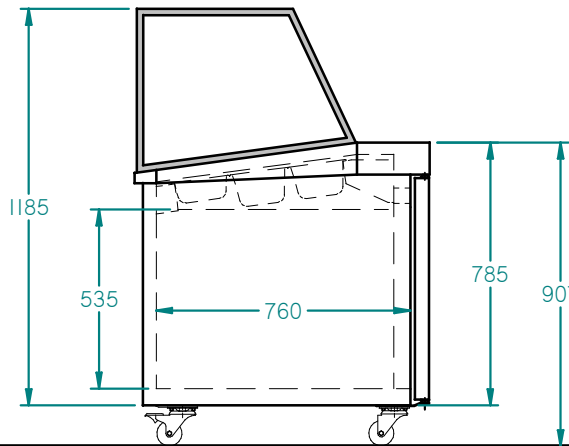


TOP VIEW

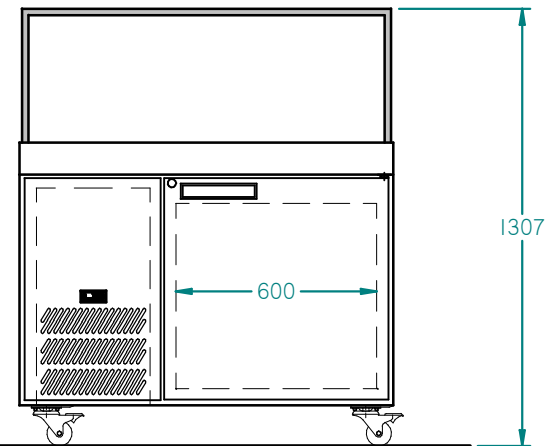


DUCT OPENING REQ.
FOR AIR EXHAUST
FROM CONDENSER

REAR VIEW



SIDE VIEW



FRONT VIEW

01	Redrawn on SE, New Canopy added	5.05.10	J.L.
REV	DESCRIPTION	DATE	BY

williams

REFRIGERATION
AUST. PTY. LTD.

UNLESS OTHERWISE STATED ALL
DIMENSIONS IN MILLIMETERS.
GENERAL TOLERANCES:

UP TO 6	±0.1
7 TO 30	±0.2
31 TO 120	±0.3
121 TO 315	±0.5
316 TO 1000	±0.8
1000 & OVER	±1.2

ANGULAR ±1°

DRAWN: J.L.
DATE: 5.05.10
CHECKED:
DRAFTING STANDARD AS 1100

MATERIAL: -
MODEL: HSP18U
TITLE: SANDWICH PREPARATION BENCH

STOCK No. --
DWG: HSP18U