



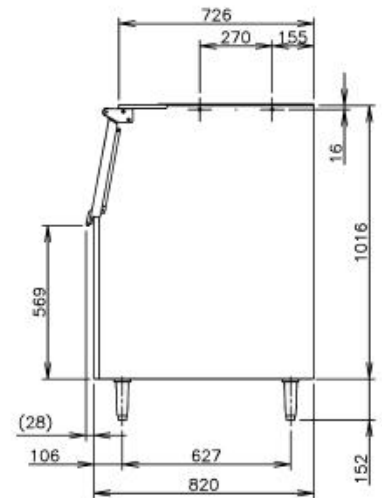
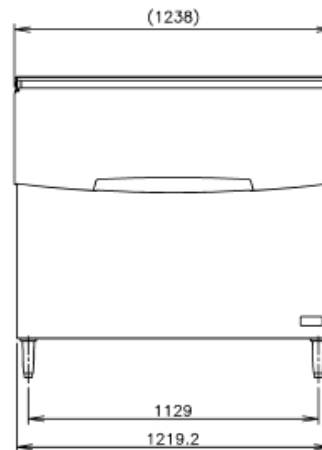
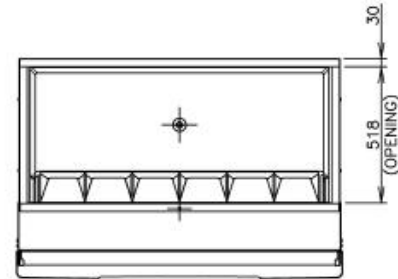
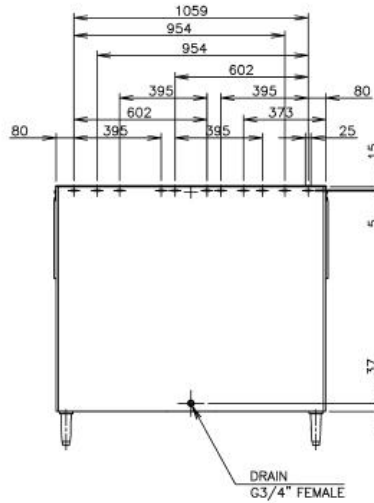
### PRODUCT FEATURES

- Seamless polyethylene bin liner for sanitary storage.
- Sealed door gasket reduces risk of airborne bacteria.
- Easy cleaning and long lasting attractive appearance.
- View windows provide instant inspection and thermal break.
- Pouch style insulated door prevents condensation while providing maximum access and minimal spillage.

### ICE STORAGE



### TECHNICAL DRAWING



### PRODUCT SPECIFICATION

Exterior Dimensions	1219.2mm(W)x 820mm(D)x1168mm(H) *Units Include 152mm legs
Storage Capacity	Maximum 348kg
Weight	Net weight 64kg/Gross weight 86kg



Descriptions and specifications are subject to change at any time, without notice. Illustrations for demonstration purposes.  
 Copyright © 2019 Hoshizaki Lancer Pty Ltd. All right reserved. E&OE Date: May 2019