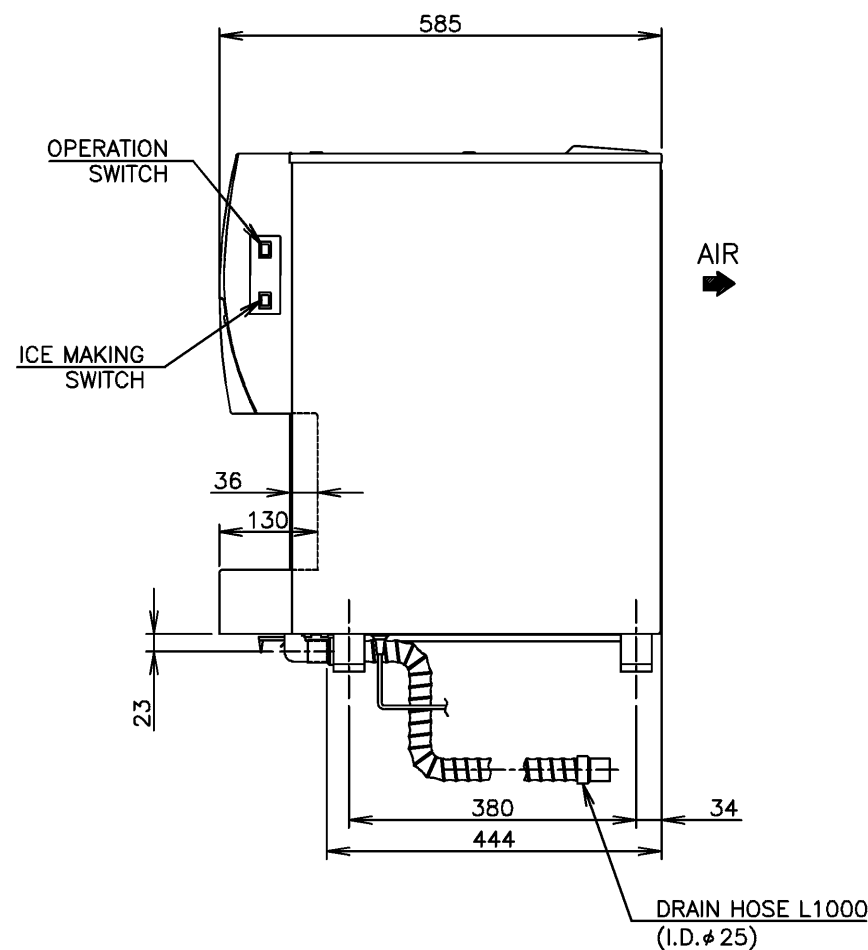
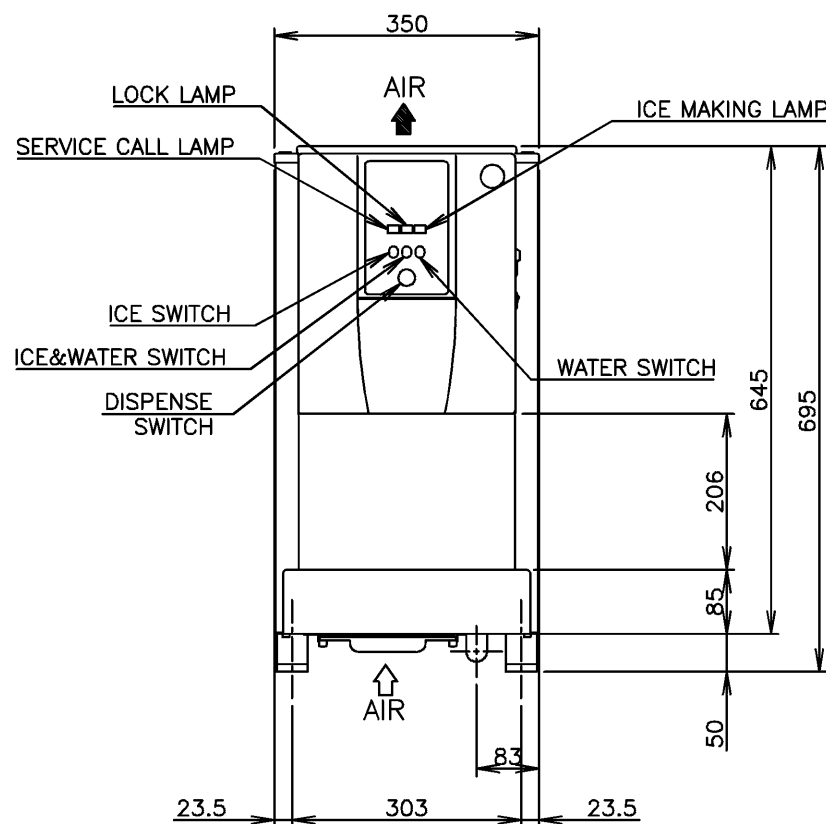


1. Install the ice maker properly in accordance with the instructions on location, water supply/drain connections and electrical connections stated in the instruction and installation manuals provided.
2. The ice production depends on the ambient and water temperatures. Refer to the instruction manual.
3. The amperage and electric consumption are based on measurements with the ice dispensing solenoid off.
4. Product Code: L014-C201



ITEM	HOSHIZAKI CHIP ICE DISPENSER
MODEL	DCM-60KE-P
POWER SUPPLY	1 Phase 220 - 240V 50Hz Capacity: 0.60kVA (2.6A)
AMPERAGE	1.5A Starting: 9.5A
ELECTRIC CONSUMPTION	280W (Power Factor: 81%)
ICE PRODUCTION PER 24h	Approx. 60kg (Ambient Temp. 10℃, Water Temp. 10℃) Approx. 50kg (Ambient Temp. 21℃, Water Temp. 15℃) Approx. 38kg (Ambient Temp. 32℃, Water Temp. 21℃)
SHAPE OF ICE	Cubelet(Compressed Flake Ice)
STORAGE CAPACITY	Approx. 1.9kg
ICE DISPENSING RATE (40g/CUP)	Approx. 78cups/30min (Ambient Temp. 10℃, Water Temp. 10℃) Approx. 110cups/1hour(Ambient Temp. 10℃, Water Temp. 10℃) Approx. 73cups/30min (Ambient Temp. 21℃, Water Temp. 15℃) Approx. 99cups/1hour (Ambient Temp. 21℃, Water Temp. 15℃) Approx. 67cups/30min (Ambient Temp. 32℃, Water Temp. 21℃) Approx. 87cups/1hour (Ambient Temp. 32℃, Water Temp. 21℃)
WATER CONSUMPTION PER 24h	Approx. 0.060m ³ (Ambient Temp. 10℃, Water Temp. 10℃) Approx. 0.050m ³ (Ambient Temp. 21℃, Water Temp. 15℃) Approx. 0.038m ³ (Ambient Temp. 32℃, Water Temp. 21℃)
OUTSIDE DIMENSIONS	350mm(W)× 585mm(D)× 695(~710)mm(H)
INSULATION FOAM BLOWING AGENT	HFC-245fa, 365mfc
HEAT REJECTION	460W (Ambient Temp. 32℃, Water Temp. 21℃)
EXTERIOR	Stainless Steel(Side, Rear) ABS Molding(Front, Top, Drain Pan)
ICE MAKING SYSTEM	Thin ice forming inside Cylinder
CONNECTIONS-ELECTRIC	Y-Type Connection (with OCEANIA. Plug)
CONNECTIONS-WATER SUPPLY	Direct Connection to Water Main, Inlet G3/4(Bottom)
CONNECTIONS-DRAIN	Drain Hose, I.D.φ 25mm(Bottom)
HARVESTING SYSTEM	Direct driven Auger
ICE DISPENSING SYSTEM	Push Switch and Solenoid(with Select Switch) Portion control by Dispense Switch
WATER DISPENSING SYSTEM	Push Switch and Water Valve (with Select Switch) Portion control by Dispense Switch
COMPRESSOR	Hermetic
CONDENSER	Fin and Tube type, Air-cooled
EVAPORATOR	Tube coiled around Cylinder (Solder Plated)
REFRIGERANT	R134a
BIN CONTROL	Mechanical Bin Control (Time Delay Controlled)
ICE MAKING WATER CONTROL	Float Switch and Water Valve
ELECTRICAL CIRCUIT PROTECTION	10A Circuit Breaker
REFRIGERANT CIRCUIT PROTECTION	Compressor Internal Thermostat Condensing Temperature detected by Thermistor(Auto-reset)
INTERLOCK	Shutdown by Microprocessor (Manual-reset)
WEIGHT	Net: 47kg(Gross: 56kg)
PACKAGE	Carton 440mm(W)× 655mm(D)× 906mm(H)
ACCESSORIES	Installation Kit, Brush
OPERATING CONDITION	Ambient Temp.: 5-40° C, Water Supply Temp.: 5-35℃ Water Supply Pressure: 0.05-0.78MPa Voltage Range: Rated Voltage±6%

*We reserve the right to make changes in specifications and design without prior notice.

HOSHIZAKI CHIP ICE DISPENSER DCM-60KE-P

APPROVED YOSHIDA	CHECKED KUROYANAGI	DESIGNED HIRANO	DRAWN WATANABE	SCALE 1/10	TRIGONOMETRY
YOSHIDA	HIRANO	DATE 2013.04.12	DATE 2012.02.20	DRAWING NO. D11115	SYMBOL ▲
APPROVED	DESIGNED	SYMBOL	DATE		