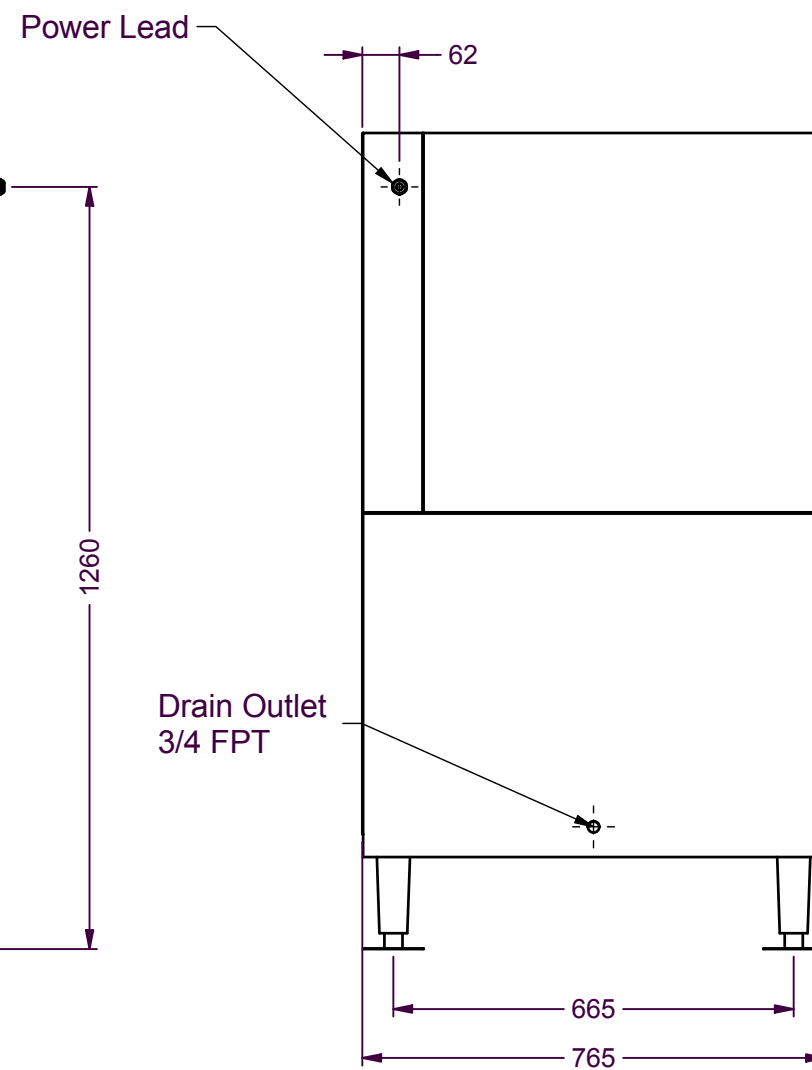
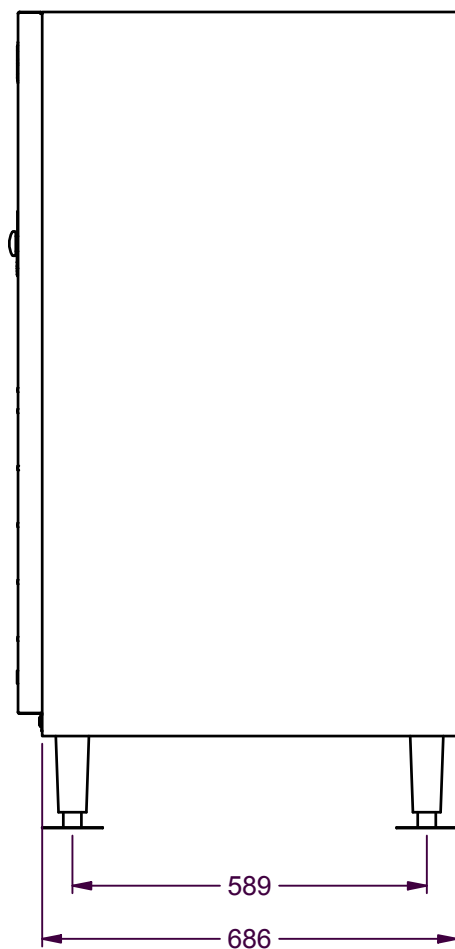
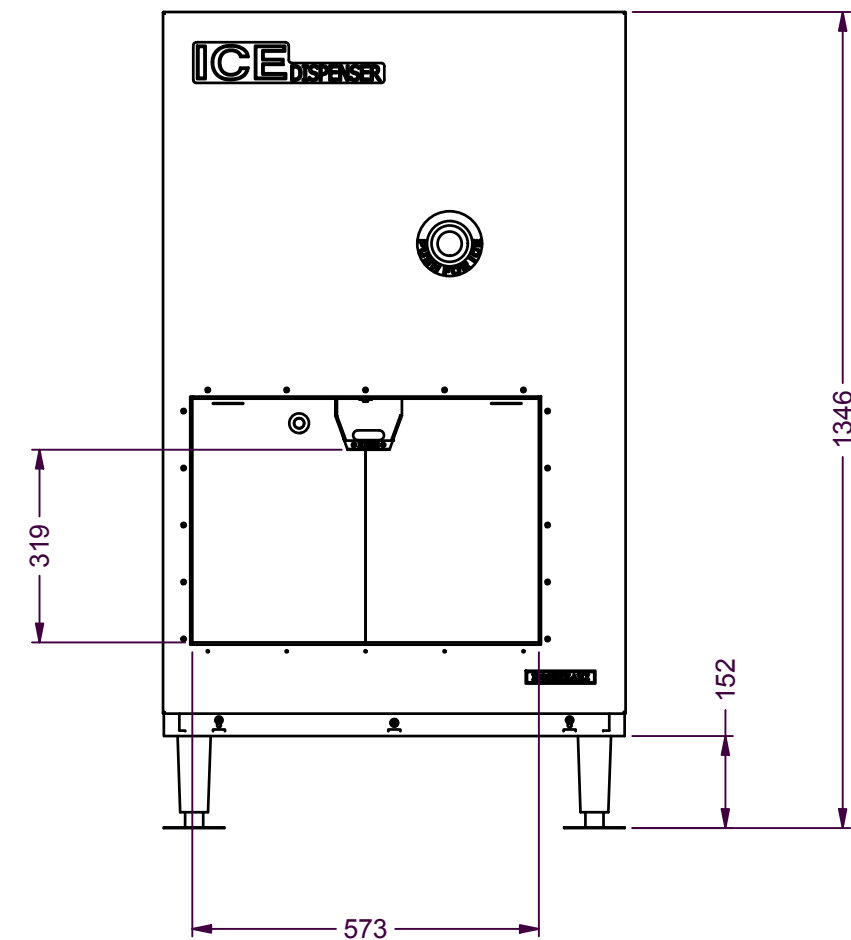
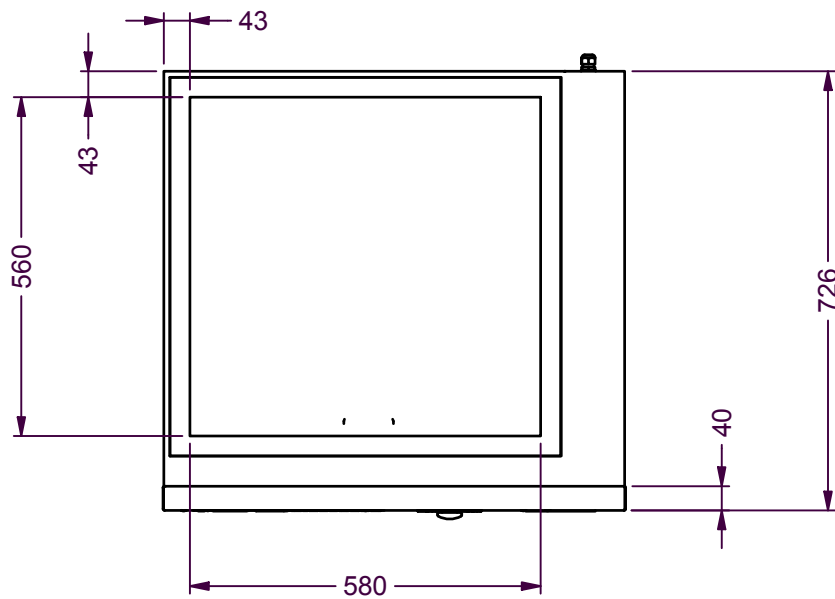


REVISION HISTORY						
REV	ECN #	ZONE	DESCRIPTION	TODAY'S DATE	BY	AUTHORITY
002	2434		2 FABRICATED WASHERS ADDED P.No: 61000287	29-Jan-10	Craig.G	
003	2939		UPDATED 61000206/61000210/61000209/61000208/61000202/ CHECK ECN 2939/ LOCATION OF 95000409(LABEL SPOUT) CHANGED.	02-Dec-11	Craig.G	B.M
004	5633		Page 1 updated with dimensions of unit	27-Aug-19	RJB	



© COPYRIGHT
 This drawing and the information contained herein is the property of Hoshizaki Lancer Pty. Ltd. It must not be copied or reproduced in any form, or used for manufacture or other purposes without express permission from the copyright owner, and is to be returned upon demand. Compensation for losses will be sought for any unauthorised use or infringement, and acceptance of the above is a condition of the issue of the information within. If the recipient does not accept the above conditions the drawing is to be returned forthwith.

Checked by
 Drawn by
 Design State
 Released
 Scale
 Date
 Sheet Size
 A3

HOSHIZAKI LANCER PTY. LTD.
 5 TOOGOOD AVE. BEVERLEY 5009 S.A.

DISPENSER DB-200H WORKSITE

PART No: 91000063
 Revision: 004
 Sheet: 1 / 6

COPYRIGHT HOSHIZAKI LANCER PTY. LTD. ABN 84 007 706 461