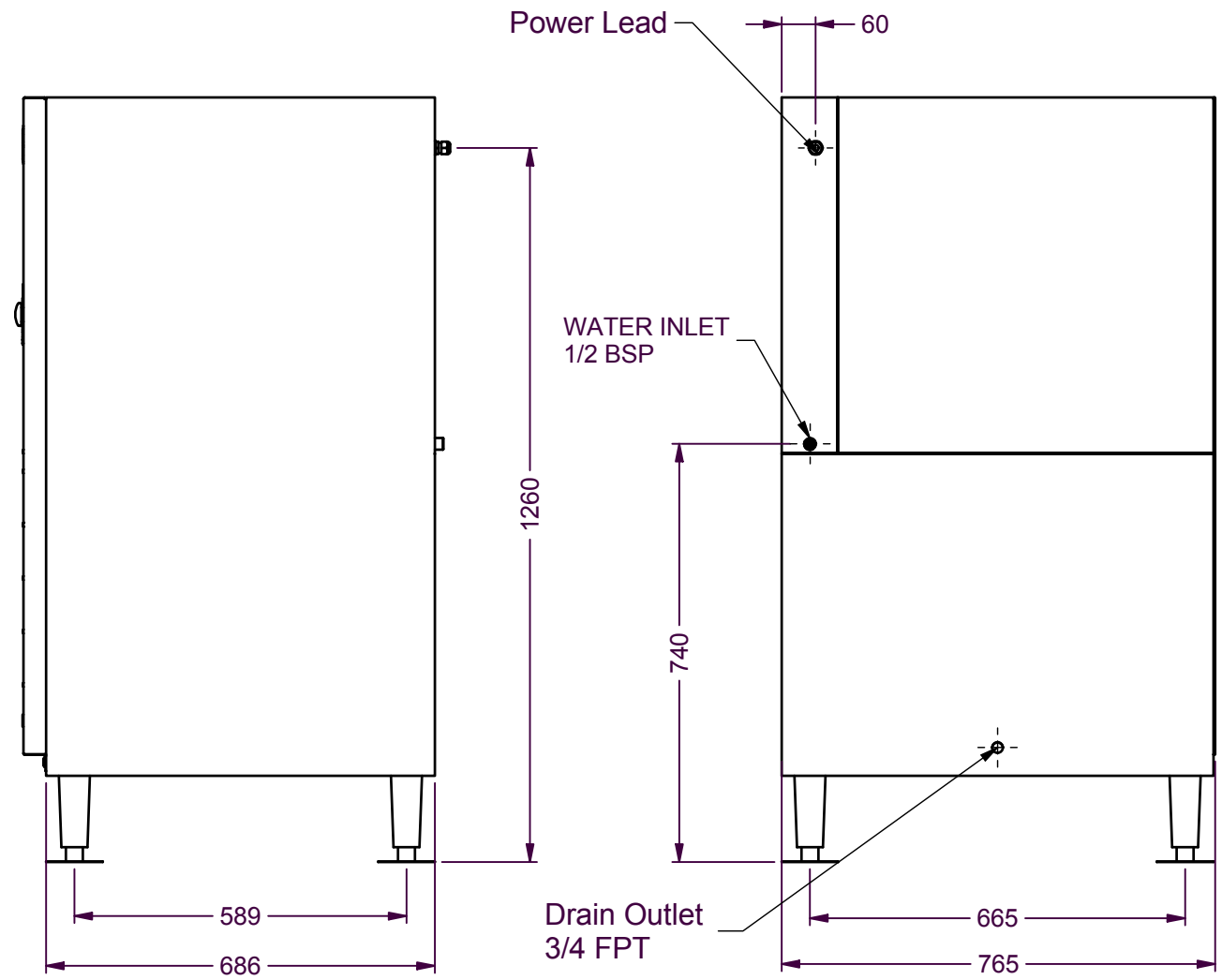
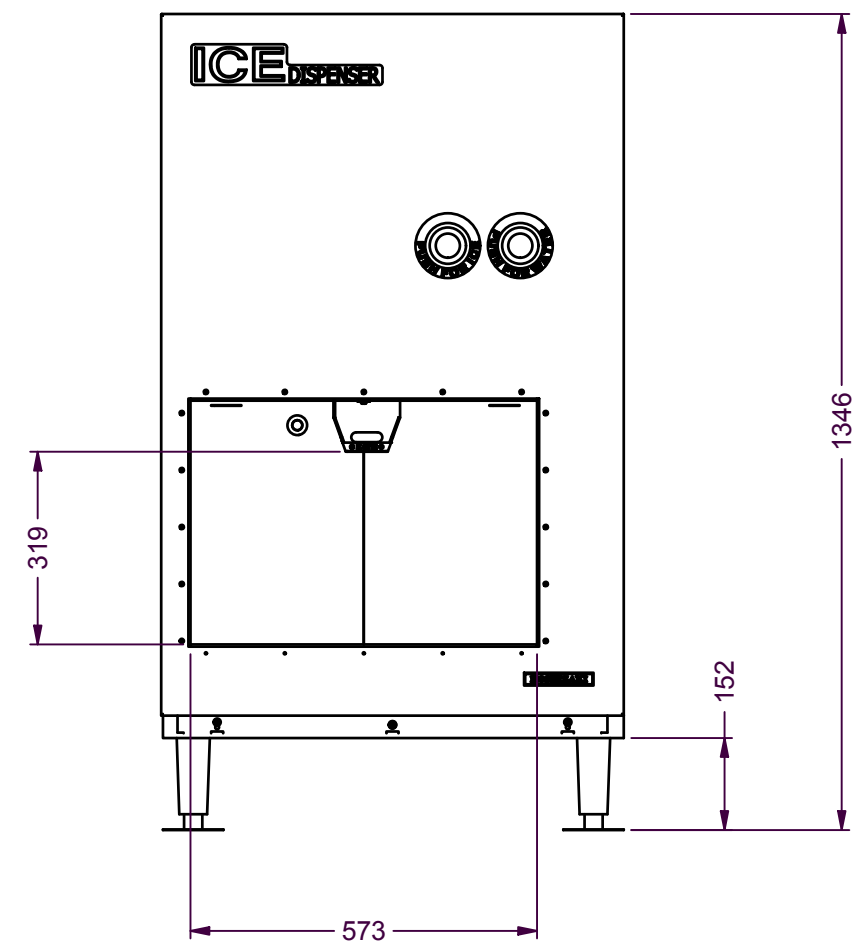
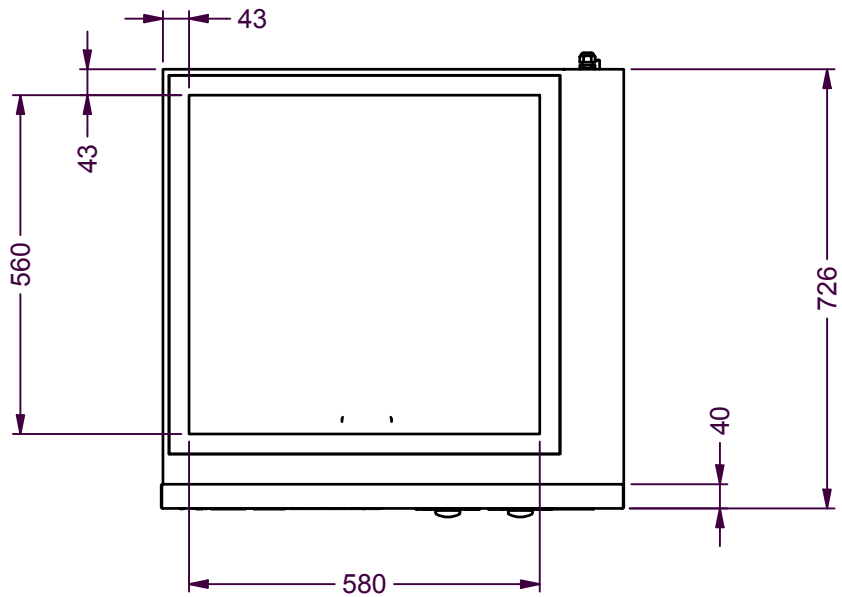


| REVISION HISTORY | | | | | | |
|------------------|-------|------|------------------|--------------|-----|-----------|
| REV | ECN # | ZONE | DESCRIPTION | TODAY'S DATE | BY | AUTHORITY |
| 001 | 5633 | | DRAWING RELEASED | 27-Aug-19 | RJB | |



© COPYRIGHT
 This drawing and the information contained herein is the property of Hoshizaki Lancer Pty. Ltd. It must not be copied or reproduced in any form, or used for manufacture or other purposes without express permission from the copyright owner, and is to be returned upon demand. Compensation for losses will be sought for any unauthorised use or infringement, and acceptance of the above is a condition of the issue of the information within. If the recipient does not accept the above conditions the drawing is to be returned forthwith.

Checked by
 Drawn by ronaldb
 Design State Released
 Scale NTS
 Date 27-Aug-19
 Sheet Size A3

HOSHIZAKI LANCER PTY. LTD.
 5 TOOGOOD AVE. BEVERLEY 5009 S.A.

TITLE
DISPENSER DB-200H WORKSITE H20

PART No: 91000131
 Revision 001
 Sheet 1 / 1