

## FEATURES

- *Temperature : -20 ~ -17°C or 0 ~ 10°C*
- *70mm thick insulation*
- *Ambient Temp : 38 °C*
- *Manual Defrost*
- *Mechanical Control System*
- *1 standard basket included*



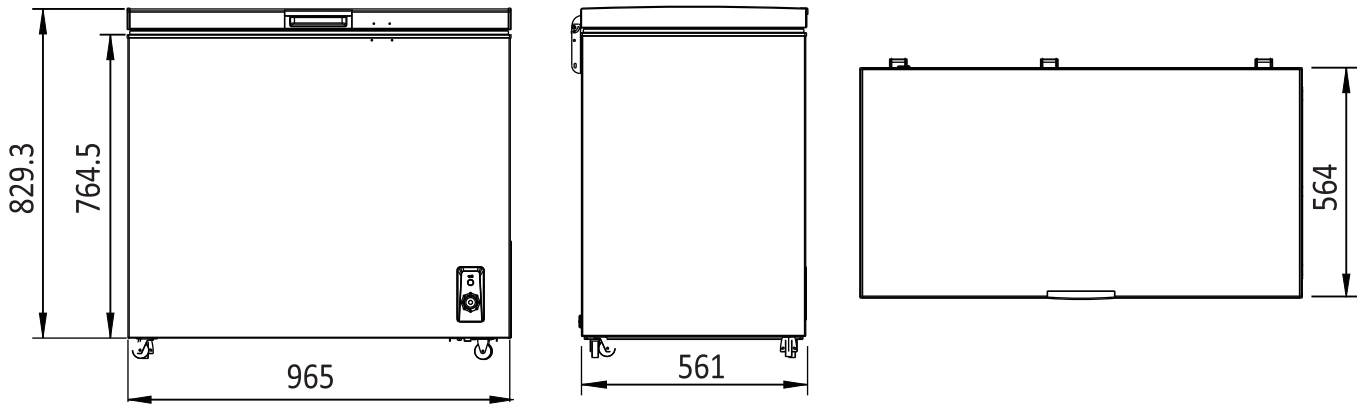
INFORMATION	BD-218K	BD-299K
Net Capacity	218L	299L
Product size(mm)	W965 x D561 x H829.3	W1110 x D621 x H829.3
Packing size (mm)	W1025 x D620 x H920	W1150 x D680 x H920
N.W. /G.S.	36/40 kg	45/50 kg
Power consumption	100W	120W
Power consumption	0.68kwh/24H	0.77kwh/24H



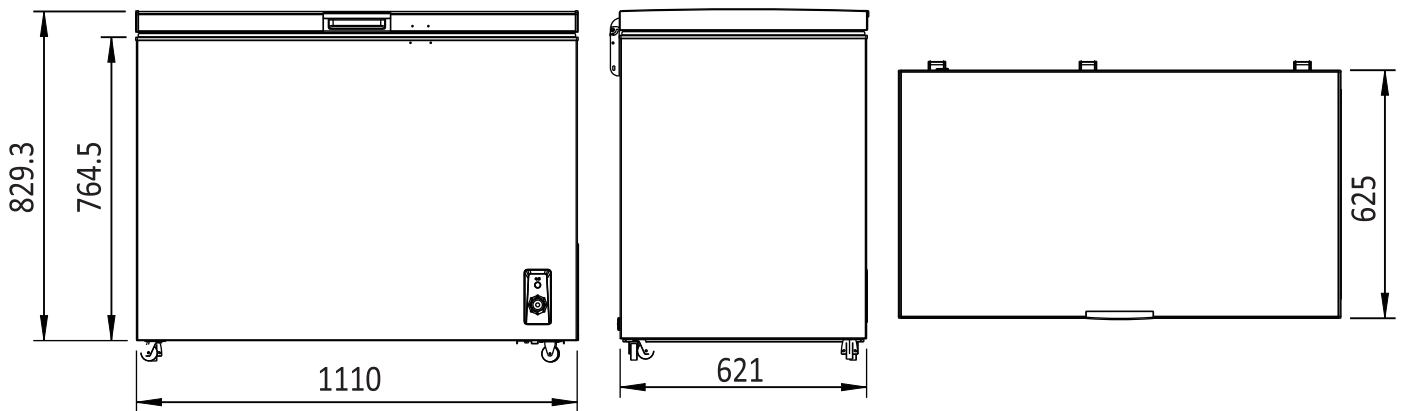
2 YEARS WARRANTY ON ALL PARTS & LABOUR  
 \* EXTRA 2 YEARS WARRANTY ON PARTS WHEN YOU REGISTER WITH US ONLINE

# SOLID DOOR CHEST FREEZER

BD-218K



BD-299K



BD-218K 



BD-299K 



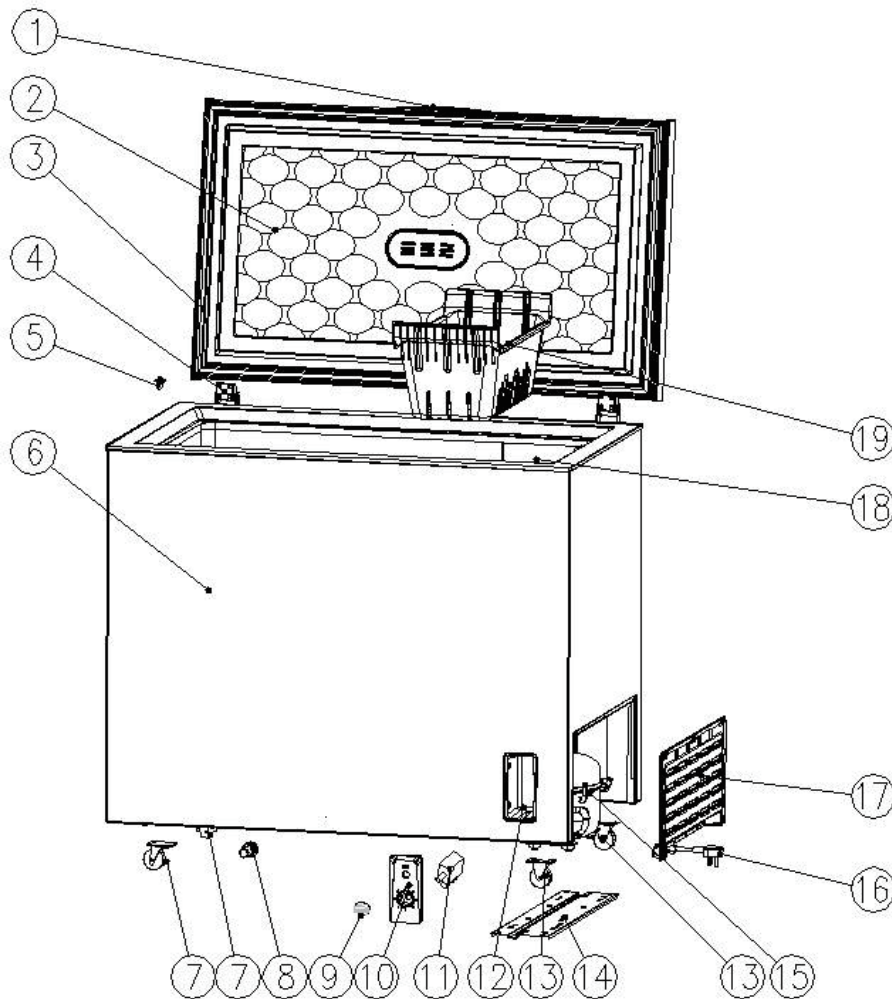
Adjustable freezer,  
temperature 1 for refrigerator



2 YEARS WARRANTY ON ALL PARTS & LABOUR  
\* EXTRA 2 YEARS WARRANTY ON PARTS WHEN YOU REGISTER WITH US ONLINE

# SOLID DOOR CHEST FREEZER

BD-218K / 299K



1. Door handle
2. Door lining board
3. Door seal
4. Door hinge component
5. Drain plug
6. Box component
7. Swivel caster
8. Drain cover
9. Knob
10. Control panel
11. Thermostat
12. Waterproof cover
13. Directional caster
14. Compressor mounting plate
15. Compressor component
16. Power cord plug
17. Maintenance plate
18. Inner box component
19. Food basket



2 YEARS WARRANTY ON ALL PARTS & LABOUR  
\* EXTRA 2 YEARS WARRANTY ON PARTS WHEN YOU REGISTER WITH US ONLINE